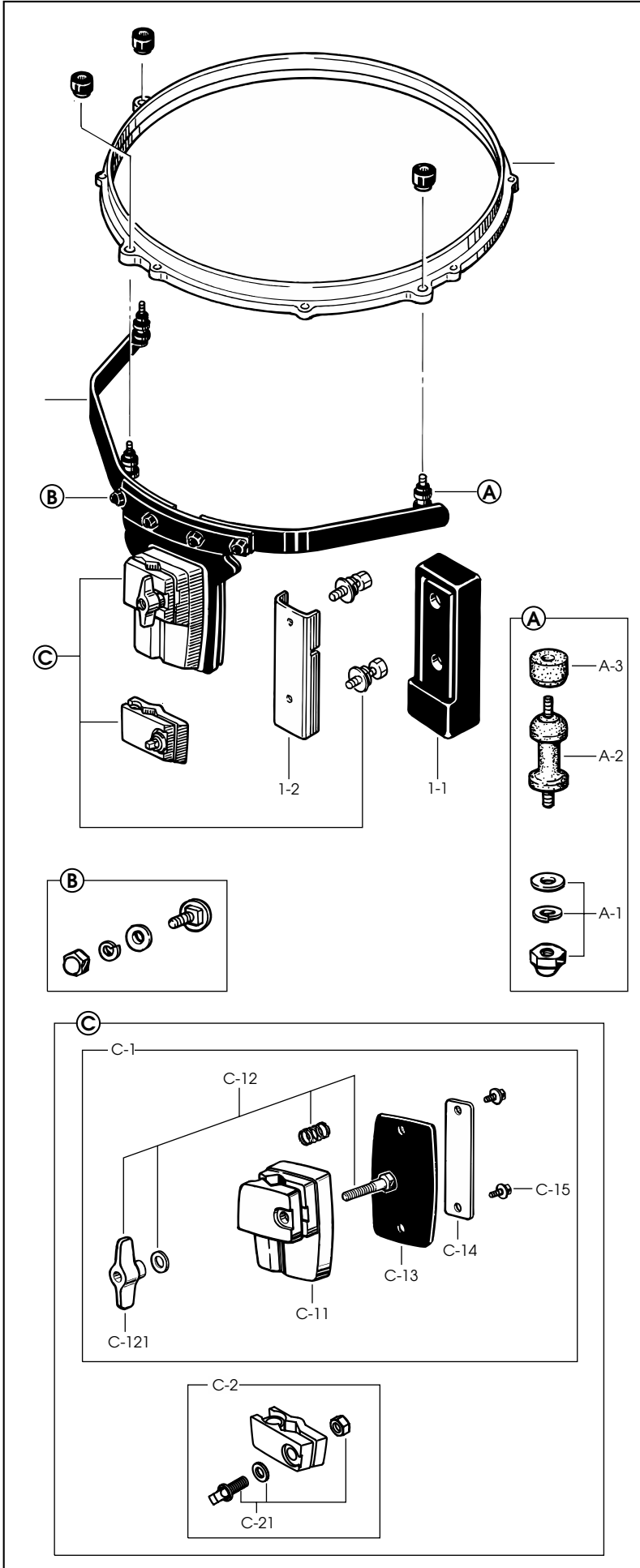


# STAR-CAST AIR RIDE SNARE MOUNTING SYSTEM (incl. Hoop)



## Air Ride Mount System

Hoop Diameter		Model No.
12"	→	MCM12L-6F
13"	→	MCM13L-6F
14"	8 holes	MCM14L-8F
14"	8 holes/for piccolo	MCM14LP8F
14"	10 holes	MCM14L-10F

## 1-1 Air Ride Mounting Unit

Hoop Diameter		Model No.
12"	→	MCM12L-6
13"	→	MCM13L-6
14"	8 holes	MCM14L-8
14"	8 holes/for piccolo	MCM14LP8
14"	10 holes	MCM14L-10

- 1-11 MAR-P14 Stabilizing bar for 14" snare drum
- MAR-P123 Stabilizing bar for 12" & 13" snare drum
- 1-12 MAR-H14 Metal back plate for 14" snare drum
- MAR-H123 Metal back plate for 12" & 13" snare drum

## 1-2 Star-Cast Mounting Unit w/o Star-Cast Hoop (incl.MTB30)

Hoop Diameter		Model No.
12"		MDH12-6F
13"		MDH13-6F
14"	8 holes	MDH14-8F
14"	10 holes	MDH14-10F

## A MCM-80FS Floating unit for AIR RIDE Snare

- A-1 ANT5WB Acorn hex nut w/washers
- A-2 MCM-RB80 Rubber bolt for AIR RIDE Snare
- A-3 MCM-RNT Rubber nut

## B B618ANT6WB Bolt (M6x18L), washer & nut assembly

## C MTB30\* Bracket w/bolts & screws

- C-1 MTB30-1 Casting w/bolts & screws
- C-11 MTB30-01 Casting only
- C-12 HB840WN8T Bolt, spring, washer & nut assembly
- C-121 WN8P Wing nut (M8, 2pcs/pack)
- C-13 MTB30-04 Rubber plate
- C-14 MTB30-06 Metal back plate

Note : For AIR RIDE System, use designated plate mentioned above.

- C-15 MS412HSB Mounting screw
- C-2 MTB30-2 Key lock (M10.5)
- C-21 MS616SHN Bolt, washer & nut assembly