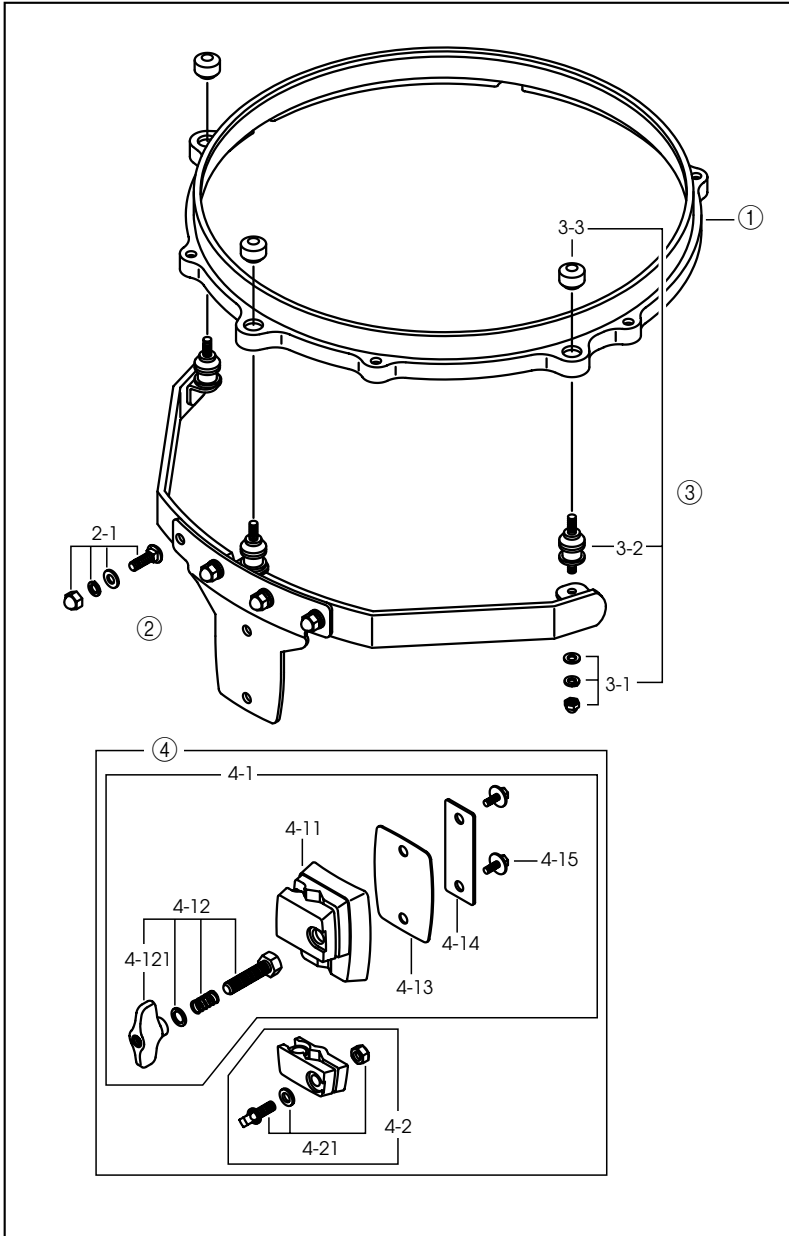


STAR-CAST MOUNTING SYSTEM (incl. Star-Cast Hoop)



Star-Cast Mounting System

Hoop Diameter	Model No.
8"	MCM8F
10"	MCM10F
12"	MCM12F
13"	MCM13F
14"	MCM14F
15"	MCM15F
16"	MCM16F

① Star-Cast hoop*

Hoop Diameter	Model No.
8"	MDH8-4F (4 holes)
10"	MDH10-6F (6 holes)
12"	MDH12-6F (6 holes)
13"	MDH13-6F (6 holes)
14"	MDH14-8F (8 holes)
15"	MDH15-8F (8 holes)
16"	MDH16-8F (8 holes)

② Star-Cast Mounting Unit (incl. MTB30)

Hoop Diameter	Model No.
8"	MCM8
10"	MCM10
12"	MCM12
13"	MCM13
14"	MCM14
15"	MCM15
16"	MCM16

2-1 B615ANT6WB Bolt (M6 x15L), washer & nut assembly

③ Floating unit

Hoop Diameter	Model No.
8" & 10"	MCM-50FS
12" & 13"	MCM-60FS
14", 15" & 16"	MCM-80FS

3-1 ANT5WB Acorn hex nut w/washers

3-2 Rubber bolt

Hoop Diameter	Model No.
8" & 10"	MCM-RB50
12" & 13"	MCM-RB60
14", 15" & 16"	MCM-RB80

3-3 MCM-RNT Rubber nut

④ MTB30* Tom bracket w/bolts & screws

- 4-1 MTB30-1 Casting w/bolts & screws
- 4-11 MTB30-01 Casting only
- 4-12 HB840WN8T Bolt, spring, washer & nut assembly
- 4-121 WN8P Wing nut (2pcs/pack)
- 4-13 MTB30-04 Rubber plate - 10" or bigger
- 4-14 MTB30-06 Metal back plate
- 4-15 MS410HSB Mounting screw
- 4-2 MTB30-2 Key lock (10.5mm)
- 4-21 MS616SHN Bolt, washer & nut assembly

*Note: To order Brushed (Hairline) Nickel plated hardware, simply add "H" to the parts model number. (ex. MDH8-4F --MDH8-4FH)