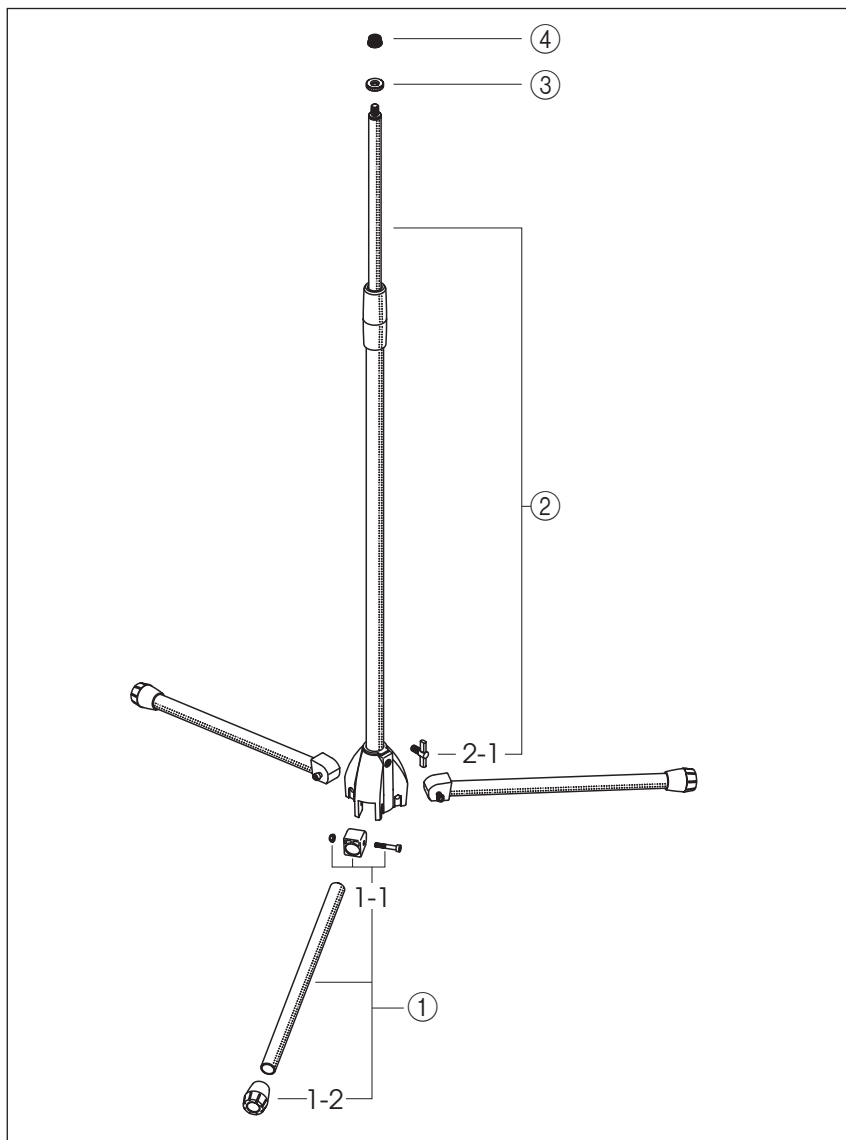


MS200FS Straight "Free-stop" microphone stand



- | | | |
|-----|-----------------|--|
| ① | MS205-1 | Leg |
| 1-1 | JBMS2 | Nylon bushing w/bolt & nut |
| 1-2 | 205-RF | Rubber tip |
| ② | 205FS-PB | "Free-stop" pipe & base tripod assembly |
| 2-1 | 205-TB | T-bolt (M8x14L) |
| ③ | 205-LN | Lock nut |
| ④ | AD58E | Adapter |